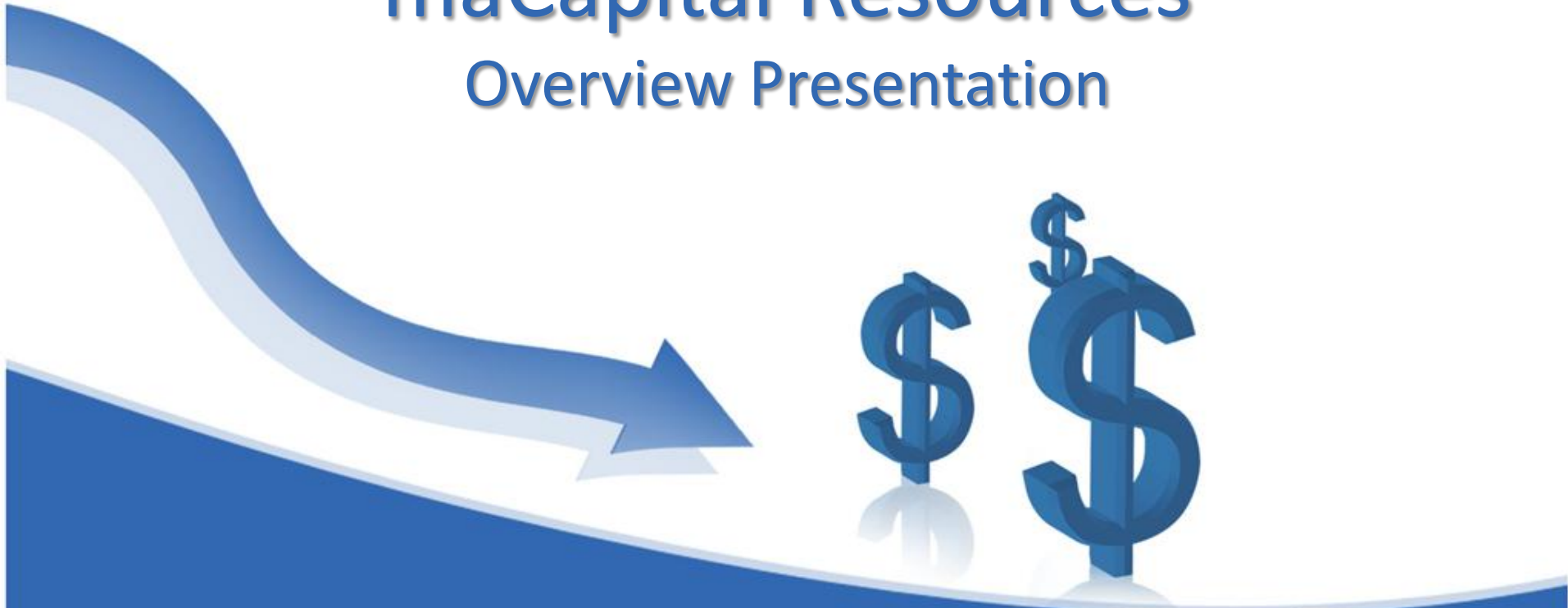


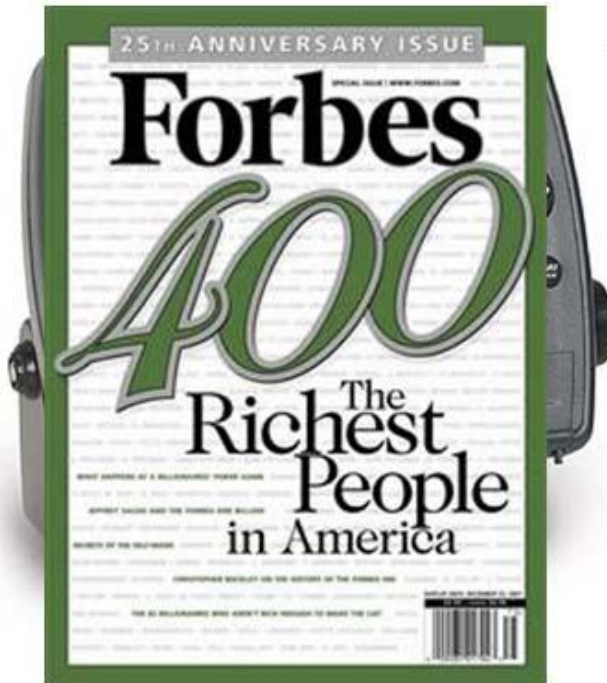
maCapital Resources

Overview Presentation



maCapital Resources

Think about this...



The Forbes 400 were asked
in a recent survey...

*What is the most important
key to **building wealth**?*

75% said **becoming** and
staying debt free is
the **#1** key to building
wealth

A Typical Example

John & Rebecca Jones

INCOME STRUCTURE				
INCOME	EXPENSE		DISCRETIONARY	
\$5,600	\$5,400		\$200	

LIABILITY STRUCTURE				
DEBT	AMOUNT	RATE	PAYMENT	TERM
MORTGAGE	\$200,000	6%	\$1199.10	360
CREDIT CARD	\$40,000	16%	\$556.50	
AUTO LOAN	\$15,000	5%	\$318.71	60

Let's make some comparisons

\$200,000 30 Yr. Fixed Rate Mortgage at 6% actually costs **431,676.38!**
(\$200,000 borrowed and \$231,000 in interest)

IF THEY DON'T DO SOMETHING DIFFERENT	MONEY MERGE ACCOUNT [®] SYSTEM
40 YEARS OLD	40 YEARS OLD
31 YEARS TO ZERO (70 YRS. OLD)	15.3 YEARS TO ZERO (55 YRS. OLD)
Pay \$329,362 IN INTEREST	Pay \$146,215 IN INTEREST

\$183,148 IN TOTAL INTEREST AND 15 YEARS CAN POTENTIALLY BE SAVED WITH THE MONEY MERGE ACCOUNT[®] SYSTEM

John & Rebecca Jones Become Unfranchise Owners

JOHN & REBECCA JONES

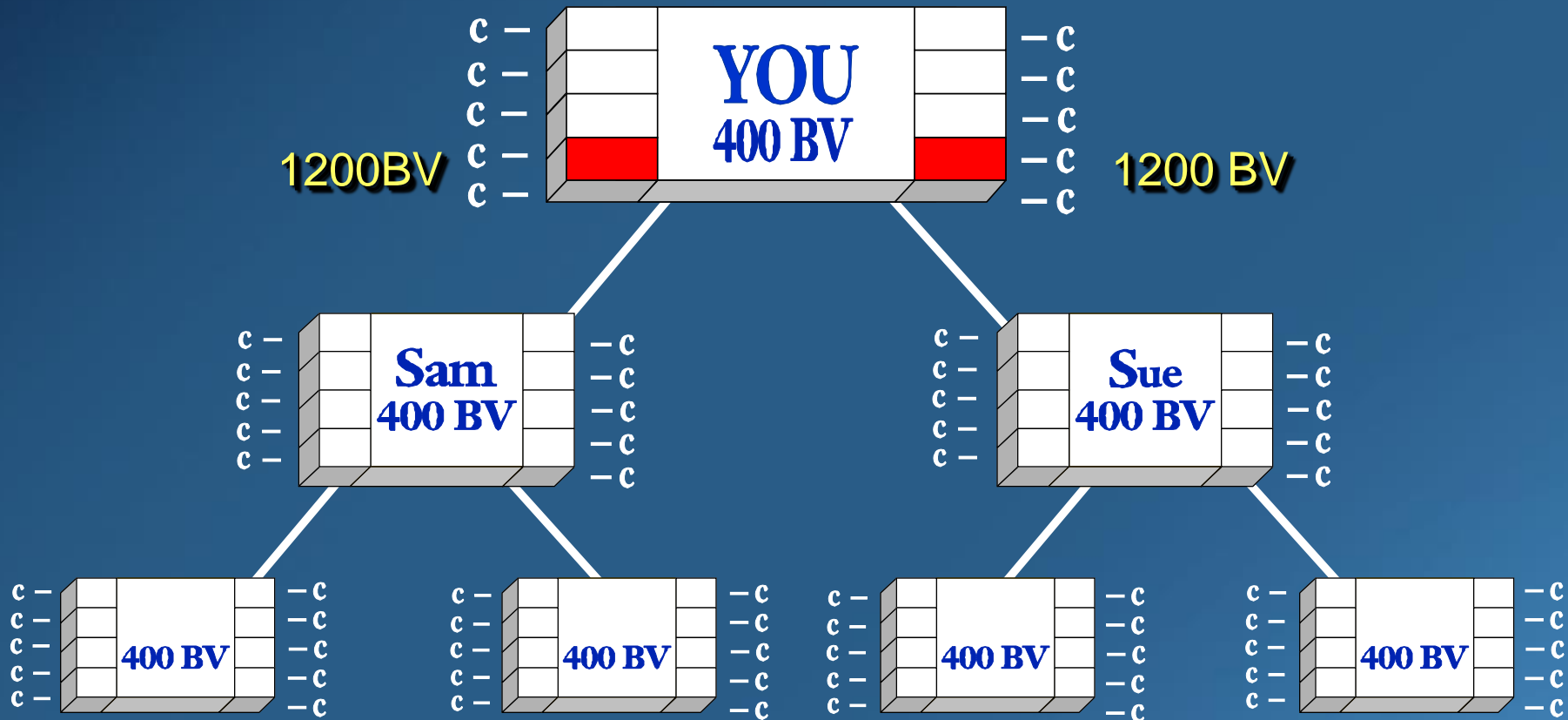
Currently have \$200/month in Discretionary Income

THE JONES'S

- Discretionary Income = \$200/mo
- Interest paid = \$146,214
- Payoff in 15.3 years
- Savings = **\$183,148**

Business Goal – Base 10, Seven Strong

Earn \geq \$300/Monthly after Three-Six Months



John & Rebecca Jones Become Unfranchise Owners

JOHN & REBECCA JONES

Earn an extra **\$300/month** through the MPCP

THE JONES'S

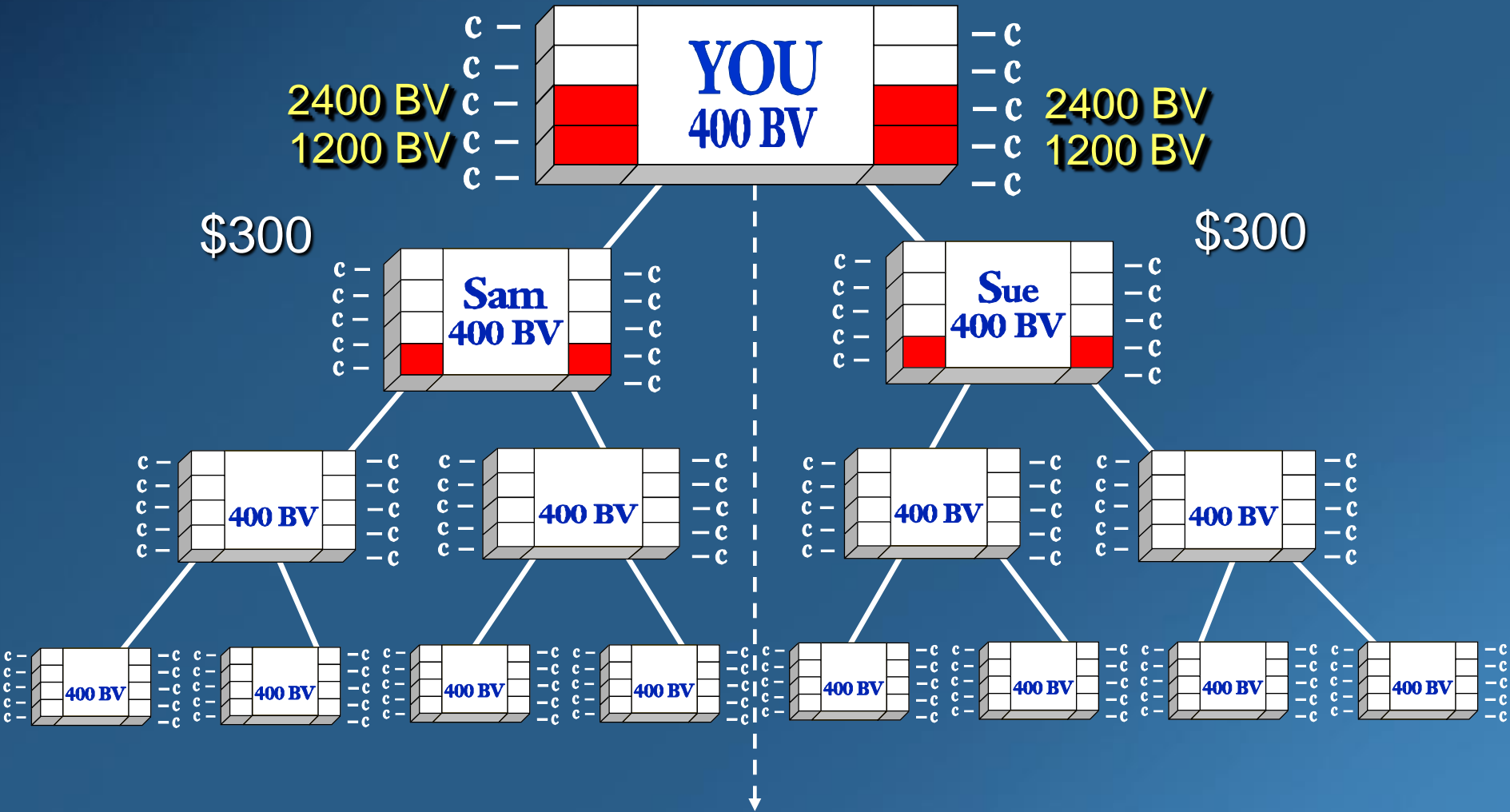
- Discretionary Income = \$200/mo
- Interest paid = \$146,214
- Payoff in 15.3 years
- Savings = **\$183,148**

THE JONES'S EARNING \$300/mo

- Discretionary Income = **\$500/mo**
- Interest paid = **\$115,640**
- Payoff in **12.1 years**
- Savings = **\$213,722**

Business Goal – Base 10, Seven Strong

Earn \geq \$600/Monthly after Eight Months



John & Rebecca Jones Become Unfranchise Owners

JOHN & REBECCA JONES

Earn an extra **\$600/month** through the MPCP

THE JONES'S

- Discretionary Income = \$200/mo
- Interest paid = \$146,214
- Payoff in 15.3 years
- Savings = **\$183,148**

THE JONES'S EARNING \$300/mo

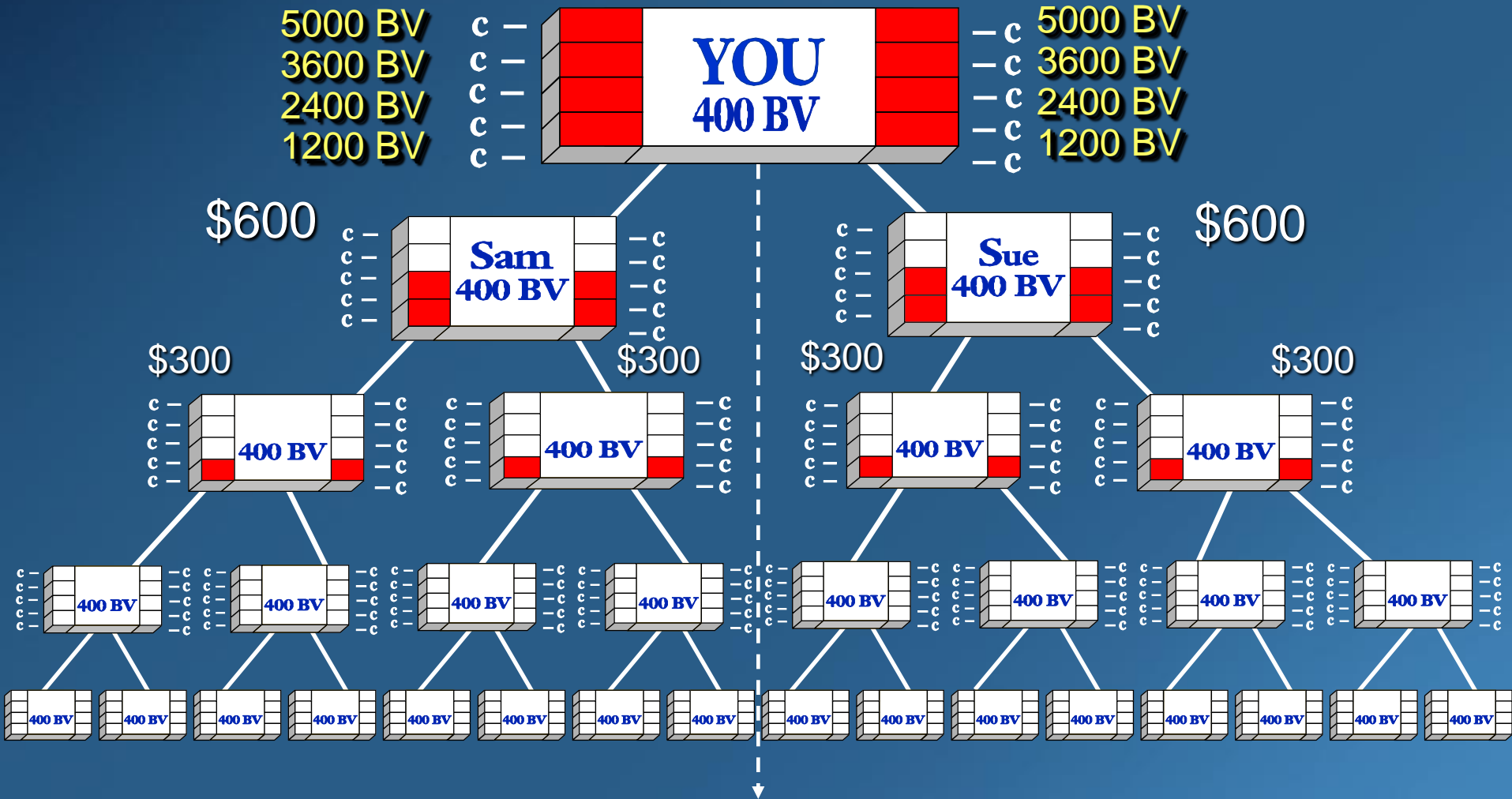
- Discretionary Income = \$500/mo
- Interest paid = \$115,640
- Payoff in **12.1 years**
- Savings = **\$213,722**

THE JONES'S EARNING \$600/mo

- Discretionary Income = \$800/mo
- Interest paid = \$96,412
- Payoff in **10.3 years**
- Savings = **\$232,950**

Business Goal – Base 10, Seven Strong

Earn \geq \$1500/Monthly after Twelve Months



John & Rebecca Jones Become Unfranchise Owners

JOHN & REBECCA JONES

Earn an extra **\$1500/month** through the MPCP

THE JONES'S

- Discretionary Income = \$200/mo
- Interest paid = \$146,214
- Payoff in 15.3 years
- Savings = **\$183,148**

THE JONES'S EARNING \$300/mo

- Discretionary Income = \$500/mo
- Interest paid = \$115,640
- Payoff in **12.1 years**
- Savings = **\$213,722**

THE JONES'S EARNING \$600/mo

- Discretionary Income = **\$800/mo**
- Interest paid = **\$96,412**
- Payoff in **10.3 years**
- Savings = **\$232,950**

THE JONES'S EARNING \$1500/mo

- Discretionary Income = \$1700/mo
- Interest paid = **\$64,380**
- Payoff in **7.1 Years**
- Savings = **\$264,983**

John & Rebecca Jones Become Unfranchise Owners

JOHN & REBECCA JONES

Earn an extra **\$3000/month** through the MPCP
(not even Professional Coordinator)

- Discretionary Income = \$3200/mo
- Interest paid = **\$40,528**
- Payoff in **4.8 Years**
- Savings = **\$286,443**

Brand New Pricing!

We've come out with a new pricing model

Setup (down payment)

Retail: \$199

Dist Cost: \$99

50 BV

Monthly

\$49.99 & 25 BV

*That amounts to \$1.63/day
Less than a cup of coffee at Starbucks*

Current Economic Environment

- Potential Customers for this product are everywhere
- Potential for finding new distributors to sell this product is enormous
 - Financial Planners
 - Insurance Agents
 - Mortgage Brokers
 - Real Estate Agents

Ordering the MMA for \$199

- Become an Agent (code 6091)
- Get Certified (simple, free online course)
- Run an Analysis
- Login to Unfranchise & click “Order MMA”
- Follow the instructions and enter your Scenario ID and you’re all set!

Brand New Pricing!

To help provide a further incentive

One-time only Payment

Retail: \$3500

Dist Cost: \$2100

Profit: \$1400

600 BV

maCapital Resources

Overview Presentation

